

### SPECIFICATIONS AND APPLICATION DATA

#### DIMENSIONS IN INCHES

MODEL NUMBER	NOMINAL CAPACITY (GAL.)	DOE RATED CAPACITY (GAL.)	FIRST HOUR RATING (GAL.)	BTU INPUT NAT GAS	GPH/LPH RECOVERY @ 90° RISE	UNIFORM ENERGY FACTOR	VENT DIAM A	JACKET DIAM B	FLOOR TO				WATER CONNECTIONS DISTANCE G	APROX SHIP WGT (LBS)
									TOP OF HEATER C	TOP OF WATER D	SIDE T&P E	TOP OF VENT F		
<b>TALL</b>														
GN30T1-3-6	30	29	70	35,000	33	0.60	3	16 ½	59	60 ½	53	62 ¼	8	134
GN40T1-3-6*	40	38	68	40,000	38	0.59	3	18 ½	59 ¼	60 ¾	54	62 ½	8	145
GN50T1-3-6*	50	47	85	40,000	38	0.63	3	20 ½	57 ¾	59 ¼	51 ¼	61	8	161
GN30T2-3-6	30	29	67	35,000	33	0.60	3	18 ½	59	60 ½	53	62 ¼	8	137
GN40T2-3-6*	40	38	73	40,000	38	0.60	3	20 ½	59 ¼	60 ¾	53	62 ½	8	154
GN50T2-3-6*	50	47	86	40,000	38	0.66	3	22 ½	57 ¾	59 ¼	51 ¼	61	8	167
<b>LOW BOY</b>														
GN30L2-3-6	30	29	66	35,000	33	0.60	3	20 ½	47 ¼	48 ¾	41	50 ¾	8	137
GN40L2-3-6	40	38	62	37,000	35	0.60	3	22 ½	49	50 ½	42 ½	52 ½	8	153
GN50L2-3-6	50	48	78	40,000	38	0.65	3	24 ½	49 ¾	51 ¼	42 ¾	53	8	183

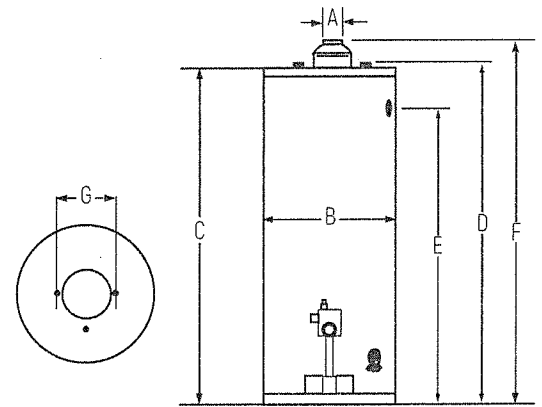
Recovery capacity based on actual performance tests

\*Model certified to 10,100 feet

- For 12-year models, change the model number suffix from "6" to "12". Example: GN-40L2-3-12.
- All models meet SCAQMD 2008 Rule 1121 and Northern California BAAQMD 2009 10ng/J NOx emissions requirements.
- All models comply with NAECA requirements.
- All models are certified at 300 PSI test pressure and 150 PSI working pressure.
- Dimensions and specifications subject to change without notice in accordance with our policy of continuous product improvement.

#### SAMPLE SPECIFICATION

Water heater shall be AMERICAN STANDARD WATER HEATERS model \_\_\_\_\_ having a storage capacity of \_\_\_\_\_ gallons, operate on Natural Gas with a BTU input of \_\_\_\_\_ and a recovery rate of \_\_\_\_\_ gallons per hour at 90°F temperature rise. Water heater tank interior shall be glass lined with Dura-Glas™, furnished with anode rod and insulation shall be non-CFC foam. Water heater shall be CSA certified.



Globally Recognized. Industry Respected.